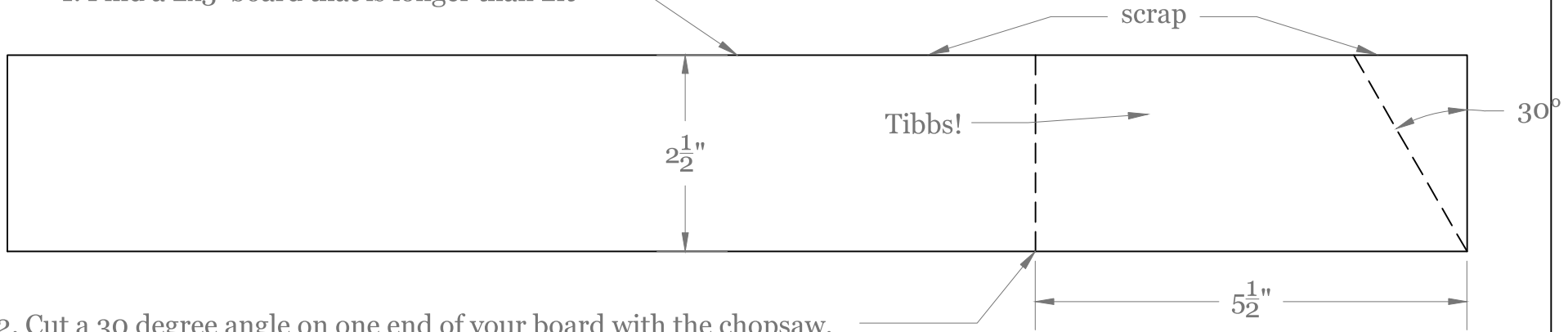


1. Find a 2x3 board that is longer than 2ft



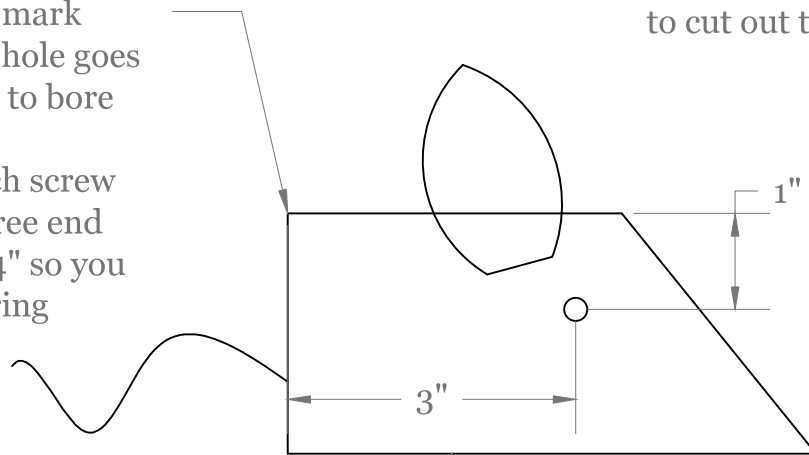
2. Cut a 30 degree angle on one end of your board with the chopsaw.

3. Measure 5-1/2" from the pointed end and use a speed square to draw a line straight across, and draw an X on the scrap side of the line.

4. Make a 90 degree cut on the side with the X, do not cut directly on the line!

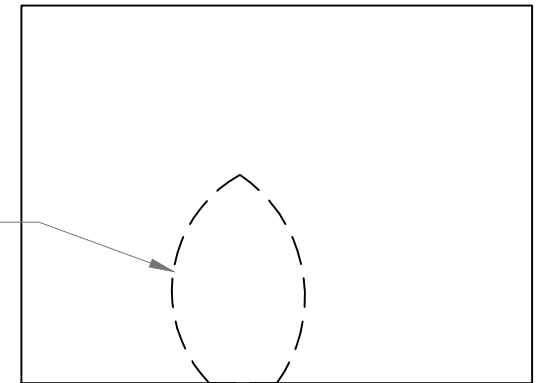
5. Measure and mark where the eye hole goes and use a drill to bore out the hole.

6. Center a 1 inch screw on the 90 degree end and sink it 3/4" so you can tie a 6" string around it.



7. Write your name on the bottom of Tibbs.

8. We will use a jigsaw and lauan to cut out the ears for Tibbs



Mac Theatre presents	
Tibbs the Safety Mouse	
	Unit Instructions
	Drafted by Severson
	File name Tibbs the Safety Mouse.dwg
Scale 6"=1'0"	Plot date 1/18/2016